

# RAPID ASSEMBLY: THE PRE-WALL SYSTEM THAT MEETS ANY CHALLENGE.

**Viega Prevista**



**viega**



# CONTENTS

4

Viega Prevista.  
The system.

6

Viega Prevista.  
The installation.

8

Viega Prevista Dry.  
The possibilities.

10

Viega Prevista Dry Plus.  
Maximum design freedom.

12

Viega Prevista Pure.  
First choice in wet construction.

14

Viega Prevista.  
The range.

16

Viega Prevista Dry WC element  
with integrated AquaVip connection station.

18

Viega Visign. Actuation plates  
for contactless hygiene.

20

Viega Visign. Individual design  
for individual bathrooms.

22

Viega Visign actuation plates.  
The range.



# BECAUSE IN FRONT OF THE WALL, **FLEXIBLE** **QUALITY MATTERS.**

**Viega Prevista.** We are Viega.  
Installing lifelines for the buildings of tomorrow.

We make sure that drinking water hygiene, energy efficiency, safety and comfort are the daily standard. We do this by considering buildings as a whole and turning spaces into living rooms. But we don't just install heat and comfort, we install a new way of thinking, as well as expertise, progress and the strength of genuine innovations.

This is demonstrated by our Viega Prevista pre-wall system. It combines rapid assembly with significant user convenience and offers many intelligent solutions that support the maintenance of drinking water quality, including directly in front of the wall. Whatever challenges are waiting on the construction site, the durable Prevista range is made using state-of-the-art production methods and offers every possibility for implementing custom bathrooms in private or public areas. With a perfect connection to the infrastructure behind the wall, ideal drinking water hygiene and a modern design thanks to the universal Visign actuation plates.



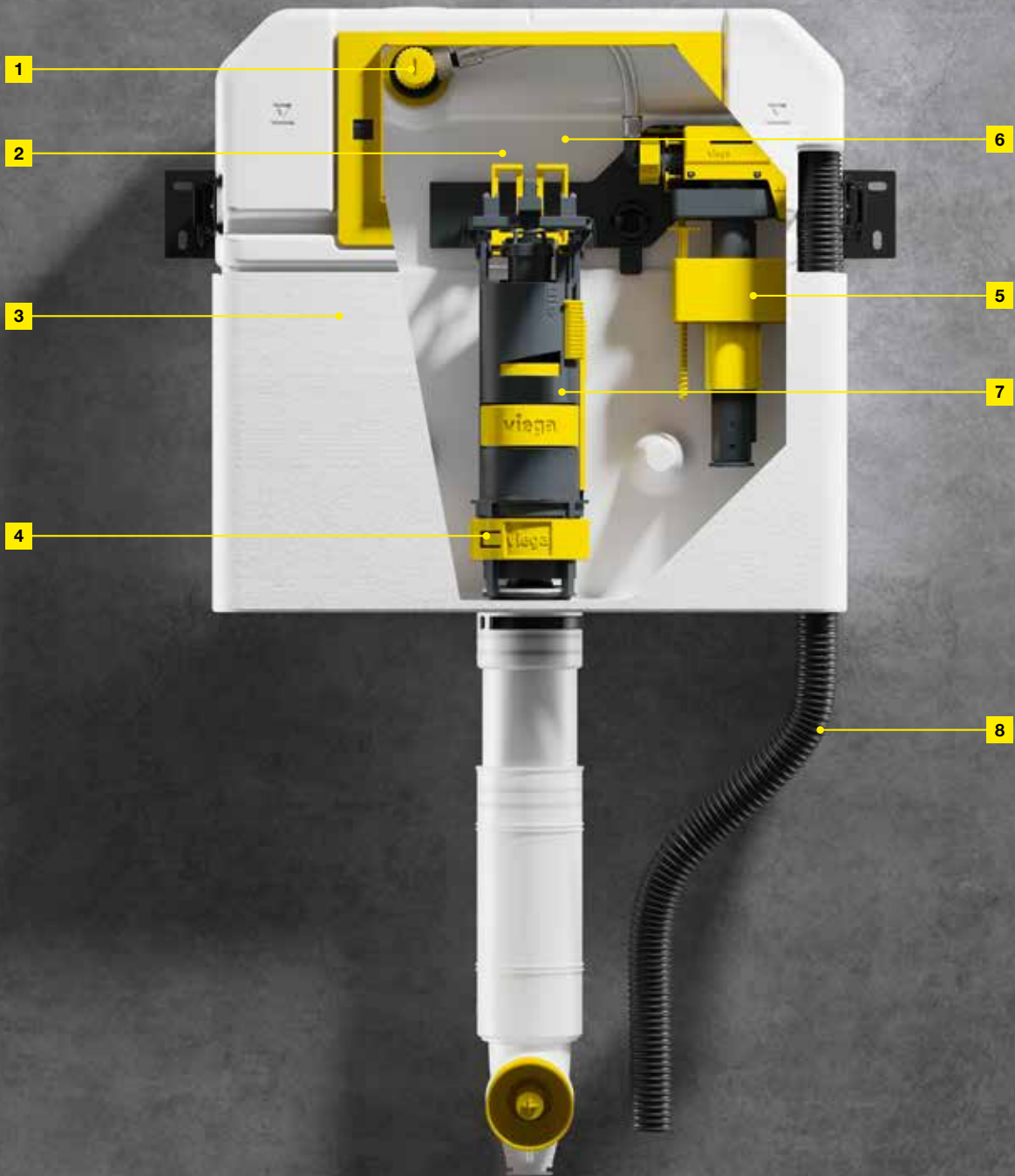
# ON THE WALL IN NO TIME, **RELIABLE** **IN OPERATION.**

**Viega Prevista. The system.** The Prevista pre-wall system offers maximum flexibility to support any construction project, whether it is installed in a stud frame, directly on the wall, in the mounting rail or in a wet construction.

**For an easier life on the construction site in every way,** the Viega Prevista pre-wall system reduces tool usage during assembly. After drilling the attachment holes or setting up the stud frame, three tools are all that are needed: a folding rule, spirit level and 13-mm spanner. All yellow components can be installed and adjusted by hand. That means you can assemble a pre-wall system in no time and put it into operation.

**The centrepiece of Prevista Dry is used in all applications:** The standard cistern for all Prevista WC elements enables rapid assembly directly on the wall, in the stud frame or in the Prevista Dry Plus rail. Since all Viega Prevista Visign actuation plates are compatible with the cistern, your customers are free to choose when it comes to the design.

**Installation in public areas** is also possible with the Prevista pre-wall system, since it complies with all current standards and guidelines in fire protection, moisture proofing and noise insulation. Contactless flush technologies like the infrared flush actuation maintain hygiene in busy areas. The Visign for Public actuation plates also offer effective protection against vandalism.

**Water connection (1):**

The flexible Viega water connection enables a connection to be made to any piping system from two positions: from the rear or from above.

**Flush actuation (2):**

All Viega actuation plates for Prevista can be used and replaced – with tool-free assembly.

**Blow-moulding process (3):**

The Prevista cistern is manufactured in a blow-moulding process. It is blown from an extruded plastic tube into its final shape.

The fact that it is made from one part ensures maximum leak-tightness and reliable long-term quality.

**Flexible flow restrictor (4):**

Set the optimal flush flow rate by adjusting the setting ring for all ceramics. Can be adapted to any standard ceramic in five increments.

**Filling valve and drain valve**

**(5 and 7):** The filling valve and drain valve can be installed and removed without tools. The small (2–4 l) and large flush volume (3.5–7.5 l) are easy to adjust with the slider.

**Tablet holder (6):**

On request, a tablet holder for cleaning tablets can be added to the Viega Prevista cistern – for simple, convenient hygiene in the ceramics.

**Shower-WC connection (8):**

As an option, Prevista Dry WC elements offer a connection for standard shower-WCs. The shower-WC connection set is also available as an option.



Find out more at:  
[viega.com/Prevista](https://www.viega.com/Prevista)

*“Saves time  
because  
every step  
is right.”*



## Viega Prevista. The installation.

**Everything about the Viega pre-wall system** is designed for rapid assembly to save time and money. Its operating concept is virtually tool-free, so you will receive daily, on-site support for many assembly steps and settings. And with the integrated Viega system in the form of Viega Raxofix press connections and piping systems, the Prevista cisterns are extremely quick and efficient to connect via the Raxofix adapters. The screw connection between the drinking water connection and the angle valve of the cistern is made by hand in just a few seconds.

**Yellow for tool-free assembly:** From the assembly clips for the waste elbow and the fine adjustment of the wall attachment to the attachment of the actuation plate surround or the removable inspection shaft, the colour yellow points the way to rapid, tool-free assembly.



**The wall attachment process** takes virtually no time at all. The element is secured in place with the mounting bracket and the yellow stop valve in a single step, then aligned – and that's it.



**Screwed in place in an instant:** The water supply. Whether installed from the rear or from above, the angle valve for the water supply is connected and secured in place – it could not be quicker.



**Height adjustment in one click** makes it easier to align and adjust urinal and washbasin connections: Release the quick clamp, set the correct height, close the quick clamp again. In a matter of moments, the cross-members are adjusted without the need for screws.

# EVERY POSSIBILITY FOR INDIVIDUAL BATHROOMS.

**No two bathrooms are alike.** There are always different spatial situations and comfort requirements to consider. **Viega Prevista Dry** gives you every possibility of implementing individual bathrooms in the shortest possible time.

**Whatever the plans:** All Prevista Dry elements can be combined in any way. Whether a shower-WC is requested or individual height-adjustable elements, or one, two or even three washbasins, the Viega pre-wall system makes anything possible. Even when special space-saving solutions are needed.

## Prevista Dry/Prevista Dry Plus for dry construction



**WC ELEMENT**



**WASHBASIN ELEMENT**



**URINAL ELEMENT**



**BIDET ELEMENT**

1,120 mm With shower-WC connection 6 cm height-adjustable	1,120 mm Height-adjustable cross-members with quick clamps	1,120–1,300 mm Height-adjustable cross-members with quick clamps, suitable for all urinal types	1,120 mm With universal positioning of the water connections
1,120 mm With shower-WC connection	1,120 mm Fixed cross-members	1,300 mm Height-adjustable cross-members with quick clamps, telescopic water connection	
1,120 mm Object variant	1,120 mm Object variant with fixed cross-members	1,120–1,300 mm Height-adjustable cross-members with quick clamps, for concealed flush actuation	
980 mm With shower-WC connection	820–980 mm Height-adjustable cross-members with quick clamps	Prevista Dry Plus urinal module	
820 mm With shower-WC connection and actuation from the front or above	Prevista Dry Plus washbasin module		
1,120 mm/980 mm Without shower-WC connection			
Prevista Dry Plus module, height-adjustable			



Discover all of the possible Prevista combinations now:  
[viega.com/Prevista-Prewall-Technology](http://viega.com/Prevista-Prewall-Technology)





01 Individual height adjustment (WC element)



02 Individual height adjustment (washbasin element)

**01 and 02 Pure comfort: individual height adjustment**

The height of the Prevista WC and washbasin elements can be adjusted at the touch of a button, making it possible to install maximum comfort. The user can adjust the height of the washbasin by 20 cm and the height of the WC by 8 cm. The reliable mechanism is concealed by a high-quality glass plate – the perfect blend of comfort and design.

**02 Flexible: the support bracket**

The Prevista support bracket is an ideal solution for individual, partial-height pre-wall constructions. It allows the width of the pre-wall to be extended as required while offering continuous height adjustment. The support bracket is suitable for universal use at installation heights of 820 mm to 1,300 mm.

**03 Compact: the 820-mm element**

The 820 mm-high Prevista WC element enables convenient installation of a WC at a low installation height, including under sloped ceilings or windows. Actuation is from above or from the front as required, while the WC element in an installation height of 980 mm offers the same flexibility.



03 820-mm element



04 Urinal elements

**04 Convenient hygiene: the urinal elements**

Viega Prevista offers three different urinal elements. The version with an installation height of 1,120 to 1,300 mm is suitable for all urinal types. The second element at a height of 1,300 mm with telescopic water connection is suitable for most standard urinals on the market. Both versions are compatible with all Visign actuation plates, with mechanical, electronic or contactless actuation. The third urinal element for concealed urinal control units (without an actuation plate) allows any bathroom design to be implemented at a height of 1,120 to 1,300 mm.

**05 Space-saving: the corner installation aid**

The Prevista corner installation aid allows you to install all WC elements in the corner of a room. Space is often limited in bathrooms, so this allows you to make optimal use of it or redesign the bathroom. For example, the angled installation aid can save space in front of the bath tub.

**06 Connection box**

The new connection box offers sufficient space for the power and water connection for shower-WCs, including an integrated compartment for a power supply. Since the connection box remains in the pre-wall construction and any leak water is conveyed to the front of the wall construction, it prevents the need for disposal and provides additional safety.



05 Prevista corner installation aid



06 Connection box

**For a secure hold in the rail:**  
*Simply attach the foot and click it in place.*



# VIEGA PREVISTA DRY PLUS. **INDIVIDUAL INSTALLATION ON RAILS.**

**When planning an individual bathroom,** even the most unusual preferences can be implemented with Viega Prevista Dry Plus. The rail system not only allows maximum freedom but combines rapid installation with significant stability.



*For stable connections:  
the Prevista Dry Plus rail connector*



*Can be extended with millimetre precision:  
the Prevista Dry Plus mounting rail*

**Three-dimensional bathroom designs made easy:** The two Prevista Dry Plus elements of rail and connector can be combined in creative ways.



### One system for unlimited possibilities.

Prevista Dry Plus is an open system. It comprises WC, washbasin and urinal modules for direct installation in the Dry Plus rail, as well as the rail and connector base elements, which can also hold all Prevista Dry elements. This leaves planners free to choose while also creating a system that sets new standards when it comes to customisation and convenient installation. Complex and challenging pre-wall and partition wall constructions can be implemented with ease. This reduces the installation time and increases freedom in the bathroom design.

**The installation** of Prevista Dry Plus is straightforward, even alone. The trapezoidal connectors can be installed at a 90° or 45° angle on the open or closed side of the rail. Tightening the hexagon socket screw makes the connector engage in the rail while absorbing tensile and compressive forces and creating a stable connection. The individual pre-wall elements are simply attached to the bottom rail. The footrests are locked with the yellow clips, then pulled up and secured to the top rail with two connectors. It could not be quicker or easier.



*The ViegA Prevista Dry Plus rail punch for shortening the Prevista Dry Plus rails with millimetre precision*

### Quick adaptation and calculation:

The Prevista Dry Plus rail is 5 m long. With an edge length of 40 x 40 mm, it offers a sufficient contact surface for individual gypsum plasterboard cladding panels and allows an abutting edge to be implemented on the rail. The rail is shortened using the rail punch that is part of the system and is free from burrs. No saw or angle grinder is required – assembly is completed intuitively by hand with no noise.

**The ViegA Prevista online tool** calculates and creates the bill of materials for every connection. It also outputs the appropriate assembly drawings and tender documents.



Calculate the Prevista Dry Plus system now:  
[viega.com/Prevista-Configurator](https://viega.com/Prevista-Configurator)



# VIEGA PREVISTA. THE PRE-WALL BLOCKS. **FIRST CHOICE IN WET CONSTRUCTION: PREVISTA PURE.**

**State-of-the-art pre-wall technology** combined with solid wall constructions: With Prevista Pure, you can create individual, high-quality and durable installations in wet construction.

**Flexibility and design.** The Viega Prevista Pure pre-wall blocks are perfectly designed to meet the requirements in wet construction and offer maximum flexibility in individual assembly. There are two versions with construction heights of 820 mm and 1,077 mm. Thanks to the Prevista cistern, both are compatible with all Viega actuation plates for Prevista and can feature empty tubes for the shower-WC connection on request. In addition to the WC block, there are blocks for the urinal, washbasin and bidet. Now there is nothing stopping you from planning luxurious bathroom designs.

**To make things easier for you,** the Viega Prevista cistern is fully pre-assembled internally and allows actuation from the front. Alternatively, the 820-mm version can also be operated from above. The flexible depth adjustment offers additional variation.

**The effective noise insulation** prevents noise as far as possible when the toilet flush is actuated. Viega Prevista Pure ensures a quiet living and working environment with its housing.

# THE RANGE.

As a complete range, the **Prevista pre-wall elements** offer every opportunity to implement individual private and public WCs and bathrooms. Whether in dry construction or wet construction, or in limited space or when installing bathrooms that meet the requirements of different generations, you can overcome any challenge with Viega Prevista.



Every possibility in front of the wall and in the wall: view the catalogue.

[viega.com/Prevista-Catalogue](http://viega.com/Prevista-Catalogue)

## Prevista Dry WC elements



Model 8522  
Item 771 980

With shower-WC connection  
1,120 mm



Model 8521  
Item 771 997

Height-adjustable with  
shower-WC connection 1,120 mm



Model 8530.1  
Item 772 000

With shower-WC connection  
980 mm



Model 8533  
Item 772 017

With shower-WC connection  
820 mm



Model 8522.33  
Item 772 048

1,120 mm/820 mm



Model 8874.9  
Item 793 074

For support handles,  
height-adjustable



Model 8590  
Item 792 879

With integrated  
AquaVip connection station



Model 8521.32  
Item 772 024

Individual height adjustment

## Prevista Dry washbasin and bidet elements



Model 8535  
Item 776 183

1,120 mm



Model 8535.31  
Item 776 190

820–980 mm



Model 8535.32  
Item 776 213

Individual height adjustment



Model 8535.33  
Item 776 206

With concealed connection box



Model 8536  
Item 776 046

Accessible 1,120 mm



Model 8536.31  
Item 776 251

820–980 mm



Model 8540  
Item 776 220

1,300 mm



Model 8568  
Item 776 442

Prevista Dry bidet element

## Prevista Dry urinal elements and accessories



Model 8560.32  
Item 776 411

Universal water connection



Model 8560  
Item 776 404

Telescopic water connection



Model 8560.31  
Item 776 428

Concealed flush actuation



Model 8560.33  
Item 785 956

Equipment set for  
concealed flush actuation



Model 8537  
Item 776 268

Prevista Dry water meter



Model 8570.32  
Item 776 473 (left)  
Item 776 480 (right)

Prevista Dry fixing element



Model 8570.48  
Item 785 901

Prevista Dry support bracket



Model 8570.66  
Item 831 837

Prevista Dry fixing set

**Prevista Dry Plus components**



Model 8401  
Item 471 781

Mounting rail



Model 8410  
Item 471 798

Rail connector



Model 8420  
Item 471 866

Rail punch



Model 8400  
Item 471 545

Complete package

**Prevista Dry Plus module**



Model 8515  
Item 824 099

WC module height-adjustable



Model 8561  
Item 824 105

Urinal module



Model 8545  
Item 776 299

Washbasin module



Model 8545.31  
Item 776 305

Washbasin module

**Prevista Dry Plus fixing accessories**



Model 8570.49  
Item 785 925

Fixing set



Model 8416  
Item 798 468

Pipe support



Model 8414  
Item 747 237

Parallel connector



Model 8411  
Item 471 804

Mounting joint



Model 8555  
Item 776 329

Fitting holder, adjustable width



Model 8558  
Item 776 558

Fitting holder



Model 8555.38  
Item 776 374

Fitting holder for concealed fitting



Model 8570.33  
Item 776 503

Plywood board

**Prevista Pure WC blocks**



Model 8512  
Item 771 928

1,077 mm



Model 8517  
Item 824 150

1,077 mm  
with shower-WC connection



Model 8516  
Item 771 942

820 mm



Model 8518  
Item 824 167

820 mm  
with shower-WC connection

**Prevista Pure**



Model 8550  
Item 776 596

Washbasin block



Model 8566  
Item 785 994

Urinal water path



Model 8569  
Item 776 602

Bidet block

**Prevista Raxofix connection pieces**



Model 8055.2  
Item 785 178

Wall plate for Prevista with  
plug-in seat screw fitting



Model 5311.8  
Item 776 732

Adapter  
with SC-Contur



Model 5316.8  
Item 776 749

90° adapter elbow  
with SC-Contur



Model 5318.8  
Item 776 855

Adapter T-piece  
with SC-Contur

# THE QUICK AND EASY WAY TO SUPPORT **DRINKING WATER HYGIENE.**

**The Prevista Dry WC element with AquaVip flushing station** is the ideal solution if you want to support the regular use of the drinking water installation in a straightforward, fully automated way. For example, you might wish to prevent stagnation in schools during the holidays.

**Whenever** you are installing pre-wall elements in a new build or a renovation, you can simply install the Prevista Dry WC element with integrated AquaVip flushing station as well. Or the AquaVip flushing station can be added to the WC system retrospectively in a short time. In both cases, it is easily installed at the end of a series installation. The assembly routine and work steps are similar to those of the Prevista Dry WC elements; the only difference is that an additional power connection must be routed and the hot water pipe must be connected.

**Adjusting the AquaVip flushing station is easy** with Bluetooth® and an app for Android and iOS operating systems. The exact flushing intervals for cold drinking water and hot drinking water can be adjusted in the app to meet the requirements of the drinking water installation. This ensures that the drinking water quality is maintained in the most effective way. And since all flushing processes are documented and the logs can be downloaded, it is very easy for building operators to meet documentation requirements.





**Automatic hydraulic compensation** in the hot drinking water circulation is offered by the AquaVip electronic circulation regulation valve as an ideal addition. While drinking water quality is supported in front of the wall, the AquaVip electronic circulation regulation valve ensures convenience and sustainability by automatically regulating the drinking water temperature. All you need to do is set the required temperature and you're done. It could not be easier.



# VIEGA VISIGN: DESIGN AND HYGIENE IN PERFECT HARMONY.

The ideal way to keep your distance:  
**contactless actuation plates from Viega.**

**The contactless Viega actuation plates** Visign for More 205 sensitive and Visign for Style 25 sensitive bring hygienic and convenient flushing to any bathroom: The flushing process is actuated by holding your hand close to the small or large flush volume on the actuation plate. This gives users maximum convenience when flushing while keeping germs and bacteria at a distance. Hygiene is supported in everyday use by the high quality surfaces, which are extremely easy to clean and will retain their positive properties for decades.

**The Visign for More electronic actuation plates** offer even more support for drinking water hygiene with the programmable hygiene function. This allows regular flushing intervals to be set for the cold water pipe; the function uses the power connection that would be routed anyway in order to enable contactless actuation, for example.



#### **Easy adjustment and installation**

of the accessory sets is ensured by a control panel with eight DIP switches. In the version pictured here, all you need to do is adjust a switch to set a flushing interval of 72 hours with the flush volumes that are pre-set at the factory. The accessory set is then clipped to the back of the construction protection behind the actuation plate.



VIEGA VISIGN. THE  
ACTUATION PLATES  
FOR PREVISTA.  
**DESIGN THAT IS IN  
ITS ELEMENT ON  
ANY VIEGA PRE-WALL.**

**High-quality design** that can be installed on any WC element or cistern:  
The Viega actuation plates for Prevista allow any bathroom to be designed  
as a modern living space.

## Individual design for individual bathrooms

**Bathrooms are as individual as their users,** so the Viega Visign range offers the right actuation plate for every bathroom and every taste: from emotional to rational, from pure to extravagant. The diverse assortment of materials ranges from veneered wooden surfaces to brushed stainless steel, glass and high-quality plastic in a range of colour shades. The wide range of design variants feature impressive surface finishes that can be touched without leaving fingerprints.

**The flexibility of tool-free assembly** is a feature of all Visign actuation plates. No tools are required for installation. All actuation plates are also compatible with the Prevista cistern. The question of which design to install is simply a matter of taste, and not of technology. It is possible to install them flush with tiles or to integrate a tablet holder for WC cleaning tablets.

**Long-term convenience.** All Viega Visign actuation plates for Prevista can be combined in an optimal way with the latest tile and ceramic trends. But that's not all: They are also pleasant to touch and offer extremely easy actuation. And since all Visign actuation plates are subject to extensive endurance testing, they will last as long as the bathroom.

**Lighting** plays a key role in bathroom design. It increases comfort and even safety: The pleasant neutral white can serve as orientation in the dark.

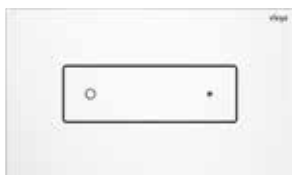
The Visign for More 202 and 205 actuation plates bring light into a bathroom at night with the integrated LED lighting. In the Visign for More 201 and 204 models, the orientation light illuminates around the WC installation frame whenever a person approaches.



**01**  
**Visign for Style 20**  
*White alpine plastic*



**02**  
**Visign for More 201**  
*Brushed stainless steel*



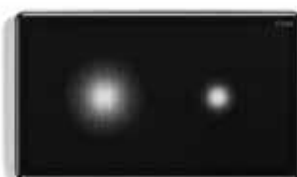
**03**  
**Visign for Style 22**  
*White matt*



**04**  
**Visign for More 204**  
*Polished stainless steel*



**05**  
**Visign for Style 23**  
*Black/stainless steel colour acrylic*



**06**  
**Visign for More 205 sensitive**  
*Jet black glass*

**DESIGN PLUS**

powered by: **ISH**



reddot winner 2020

**INNOVATIONSPREIS  
ARCHITEKTUR +  
TECHNIK**



**GERMAN  
DESIGN  
AWARD  
WINNER  
2020**



**GOLD  
AWARD  
2020**



Discover all  
designs now:  
[viega.com/Prevista-  
Flush-plates](https://www.viega.com/Prevista-Flush-plates)

# THE RANGE.

The **Prevista Visign actuation plates** bring a custom design to any bathroom. The Visign for Style models feature an impressive, modern design. And the Visign for More actuation plates leave nothing to be desired when it comes to the surface feel, quality and design language. The range for public bathrooms expands the options available even further, as does the diverse range of accessories.

## WC – Visign for Style 20



Model 8610.1  
Item 773 793

White alpine plastic



Model 8610.1  
Item 773 786

Chrome matt plastic



Model 8610.1  
Item 773 779

Chrome-plated plastic



Model 8610.1  
Item 796 389

Black matt plastic

## WC – Visign for Style 21



Model 8611.1  
Item 773 250

White alpine plastic



Model 8611.1  
Item 773 243

Chrome matt plastic



Model 8611.1  
Item 773 236

Chrome-plated plastic



Model 8611.1  
Item 801 724

Black matt plastic

## WC – Visign for Style 22



Model 8612.1  
Item 833 350

White alpine plastic



Model 8612.1  
Item 833 374

Chrome matt plastic



Model 8612.1  
Item 833 367

Chrome-plated plastic



Model 8612.1  
Item 833 381

Black matt plastic

## WC – Visign for Style 23



Model 8613.1  
Item 773 069

Chrome matt plastic



Model 8613.1  
Item 801 731

Black matt plastic



Model 8613.1  
Item 773 199

Black matt plastic



Model 8613.1  
Item 773 182

Black glossy acrylic  
Stainless steel colour plastic

## WC – Visign for Style 24



Model 8614.1  
Item 773 267

Chrome-plated plastic



Model 8614.1  
Item 773 298

Brushed stainless steel colour  
plastic



Model 8614.1  
Item 773 311

Black matt plastic,  
acrylic



Model 8614.1  
Item 773 328

Brushed stainless steel colour  
plastic, acrylic

## WC – Visign for Style 25 and Visign for More 200



Model 8615.1  
Item 774 356

White-alpine plastic



Model 8615.1  
Item 827 663

Black matt plastic



Model 8620.1  
Item 773 595

Black matt plastic and metal



Model 8620.1  
Item 773 571

White alpine glass and metal



More information  
about accessories:  
[viega.com/Prevista-Flush-plates-catalogue](http://viega.com/Prevista-Flush-plates-catalogue)

### WC – Visign for More 201 and 202



Model 8621.1  
Item 773 526

Brushed stainless steel



Model 8621.1  
Item 773 519

Black matt stainless steel



Model 8622.1  
Item 773 458

White glossy metal



Model 8622.1  
Item 773 465

Chrome-plated stainless steel  
and metal

### WC – Visign for More 204 and 205



Model 8624.1  
Item 773 663

Brushed stainless steel and metal



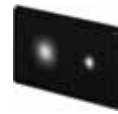
Model 8624.1  
Item 773 670

Brushed stainless steel and metal



Model 8624.1  
Item 773 649

Chrome-plated stainless steel  
and metal



Model 8625.1  
Item 774 363

Black glass

### WC – Visign for Public



Model 8630.1  
Item 774 349

Brushed stainless steel,  
manual actuation



Model 8631.1  
Item 774 332

Polished stainless steel,  
manual actuation



Model 8635.1  
Item 774 370

Brushed stainless steel,  
electronic actuation



Model 8635.1  
Item 774 387

White glossy stainless steel,  
electronic actuation

### Urinal – Visign for Style 20 and 21



Model 8610.2  
Item 774 493

White-alpine plastic



Model 8610.2  
Item 774 486

Chrome matt plastic



Model 8611.2  
Item 774 509

Chrome-plated plastic



Model 8611.2  
Item 818 050

Black matt plastic

### Urinal – Visign for Style 23 and Visign for More 200



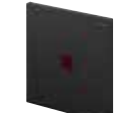
Model 8613.2  
Item 774 554

White-alpine plastic,  
manual actuation



Model 8613.2  
Item 774 561

Brushed stainless steel colour  
plastic, manual actuation



Model 8620.2  
Item 814 090

Black matt plastic,  
infrared flush actuation



Model 8620.2  
Item 774 653

Stained oak,  
infrared flush actuation

### Urinal – Public



Model 8630.2  
Item 832766

Brushed stainless steel,  
manual actuation



Model 8635.2  
Item 774 684

Brushed stainless steel,  
infrared flush actuation



Model 8635.2  
Item 774 691

Glossy white stainless steel,  
infrared flush actuation



[viega.com/Prevista](http://viega.com/Prevista)

**Viega GmbH & Co. KG**

Viega Platz 1  
57439 Attendorn  
Germany

Phone +49 2722 61-0

[viega.com](http://viega.com)